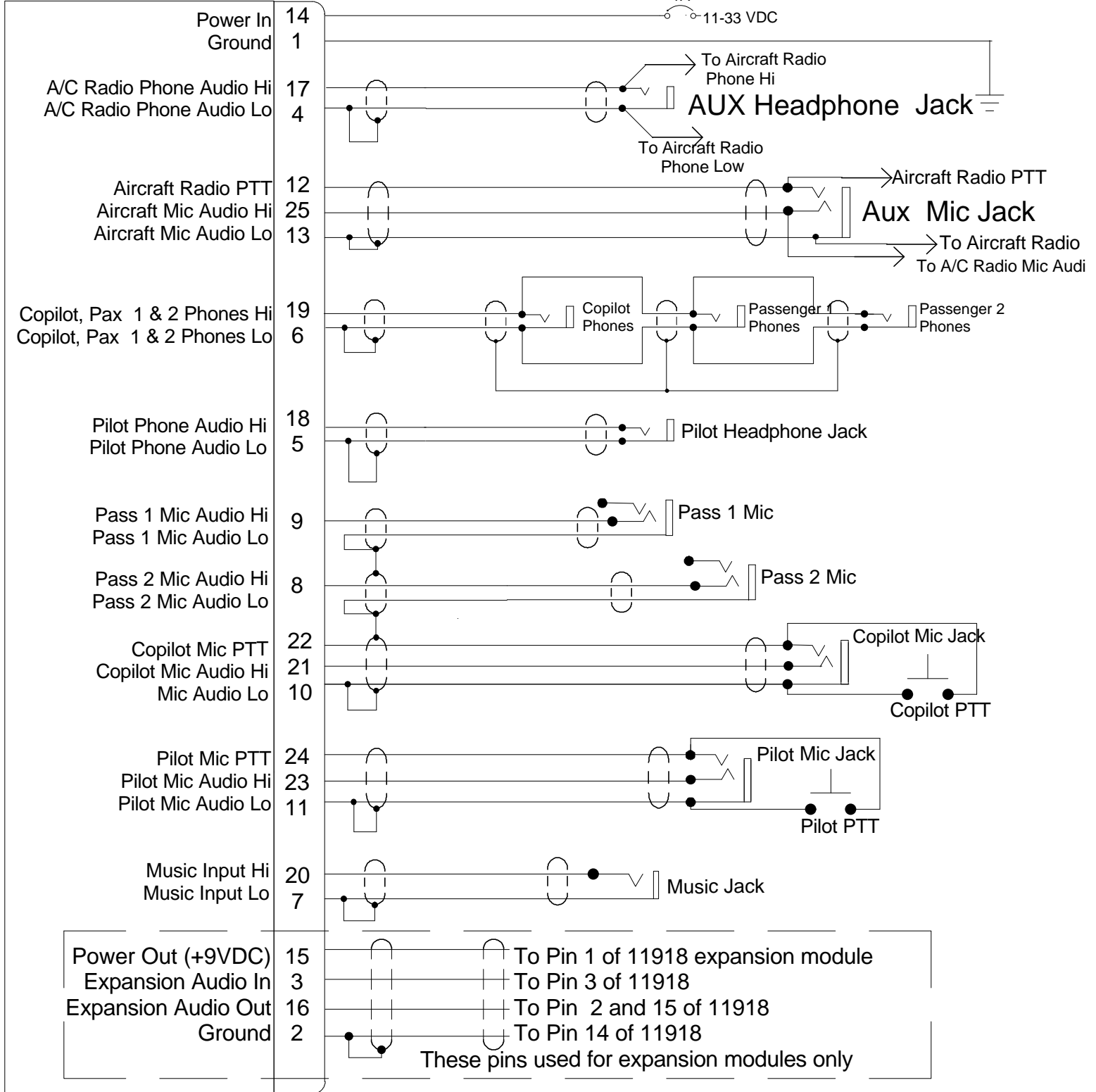


11902 Sub-D DB-25 Male



- NOTES:
1. All wire must conform to MIL-22759 or 27500. Minimum 24 gage shielded wire.
 2. Use 2-, 3-, and 4-conductor with shield as indicated.
 3. Use insulating washers on all jacks.
 4. Connect shields at intercom end only
 5. AUX headphone and microphone jacks are required.

RS ENGINEERING® INCORPORATED		
<small>9800 MARTEL ROAD, LENOIR CITY TN 37922</small>		
TITLE: PM1000II (11902) WIRING DIAGRAM		
SIZE	DOCUMENT NUMBER: 120-120-0000	REV 1
DATE: 06/25/98	SHEET 1 OF 1	
ECO		